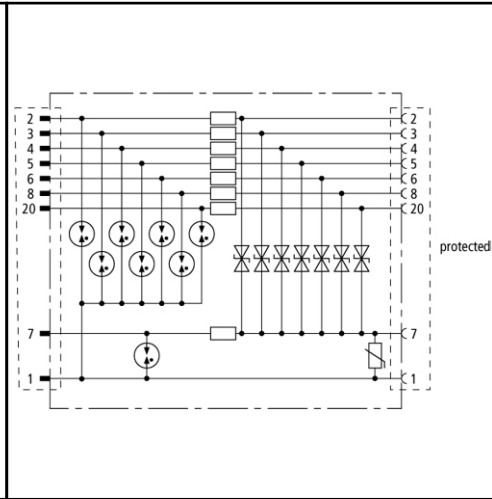
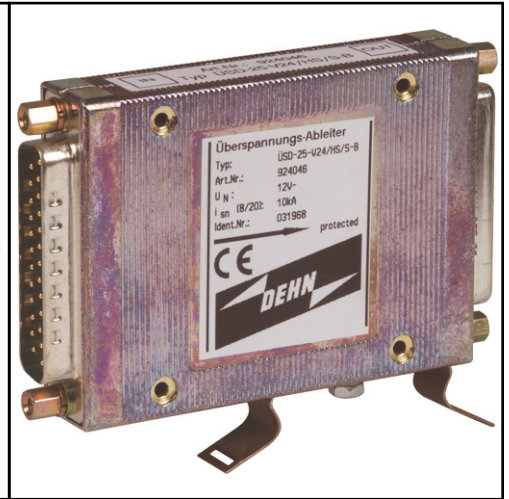


Dimension drawing USD 25 V24



Combination of gas discharge tubes, decoupling resistors and protective diodes to signal ground (SG).



Plug-in surge arrester with two-stage protective circuit

For installation in conformity with the lightning protection zones concept at the boundaries from 0<sub>b</sub> – 2 and higher

25-pin D-Sub. V.24 version, HS type with handshake function.

USD 25 V24 HS S B	
SPD class	TYPE 2 Pt
Nominal voltage [U <sub>N</sub> ]	12 V
Max. continuous operating d.c. voltage [U <sub>cj</sub> ]	12.5 V
C2 Nominal discharge current (8/20 μs) line-PG [I <sub>n</sub> ]	2.5 kA
C2 Nominal discharge current (8/20 μs) SG-PG [I <sub>n</sub> ]	7.5 kA
Voltage protection level line-SG for I <sub>n</sub> C2 [U <sub>p</sub> ]	≤ 20 V
Voltage protection level SG-PG/line-PG for I <sub>n</sub> C2 [U <sub>p</sub> ]	≤ 250 V
Voltage protection level line-SG for 1 kV/μs C3 [U <sub>p</sub> ]	≤ 18 V
Voltage protection level SG-PG for 1 kV/μs C3 [U <sub>p</sub> ]	≤ 180 V
Series impedance per line	15 ohms
Operating temperature range	-40°C...+80°C
Connection input/output	D-Sub 25 plug / D-Sub 25 socket
Pinning	Line: 2/3/4/5/6/8/20, SG: 7, PG: 1
Earthing via	earthing screw or DIN rail
Test standards	IEC 61643-21
Approvals, Certifications	GOST
<b>Ordering information</b>	
Type	USD 25 V24 HS S B
Part No.	924 046
Packing unit	1 pc

We reserve the right to modify design, technology, dimensions, weights and materials according to technical progress. Illustrations are non-binding. Pictures may differ from the modules described.