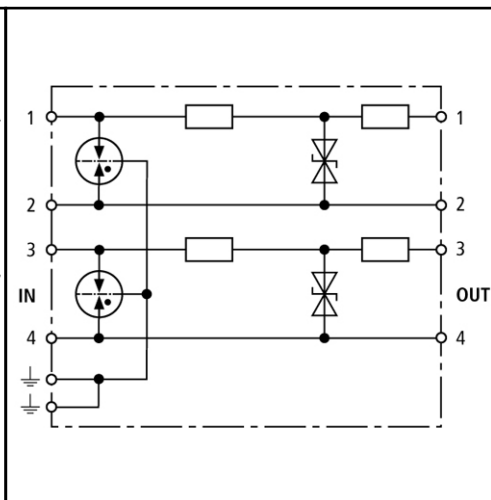


Dimension drawing BVT TTY



The resistors at the circuit output protect the optocoupler and protective diodes in the terminal equipment against overloads.



Simultaneous protection of two TTY loops

Additional decoupling with regard to the terminal device

For installation in conformity with the lightning protection zones concept at the boundaries from 0_b - 2 and higher

Owing to the additional decoupling resistors at the output, only diodes in the terminal equipment, which can withstand loads only to a certain extent, are integrated into the energy coordination of the protective stages. This is especially important for optocoupler interfaces.

BVT TTY 24	
SPD class	TYPE 2 P1
Nominal d.c. voltage [U _N]	24 V
Max. continuous operating d.c. voltage [U _{C1}]	26.8 V
Max. continuous operating a.c. voltage [U _{C1}]	18.9 V
Nominal current [I _N]	0.1 A
C2 Total nominal discharge current (8/20 μs) [I _n]	10 kA
C2 Nominal discharge current (8/20 μs) per line [I _n]	10 kA
Voltage protection line-line for I _n C2 [U _p]	≤ 65 V
Voltage protection level line-PG for I _n C2 [U _p]	≤ 700 V
Voltage protection level line-line at 1 kV/μs C3 [U _p]	≤ 36 V
Voltage protection level line-PG at 1 kV/μs C3 [U _p]	≤ 600 V
Series impedance per line	17.2 ohms per pair
Cut-off frequency line-line [f _{C1}]	8 MHz
Capacitance line-line [C]	≤ 1 nF
Operating temperature range	-40°C...+80°C
Degree of protection	IP 20
For mounting on	35 mm DIN rail acc. to EN 60715
Connection input/output	screw / screw
Cross-sectional area, solid	0.08 - 2.5 mm ²
Cross-sectional area, flexible	0.08 - 2.5 mm ²
Tightening torque (terminals)	0.5 Nm
Earthing via	screw terminal
Enclosure material	thermoplastic, UL 94 V-0
Colour	●
Test standards	IEC 61643-21, UL 497B
Approvals, Certifications	CSA, GOST

Ordering information	
Type	BVT TTY 24
Part No.	918 400
Packing unit	1 pc

We reserve the right to modify design, technology, dimensions, weights and materials according to technical progress. Illustrations are non-binding. Pictures may differ from the modules described.