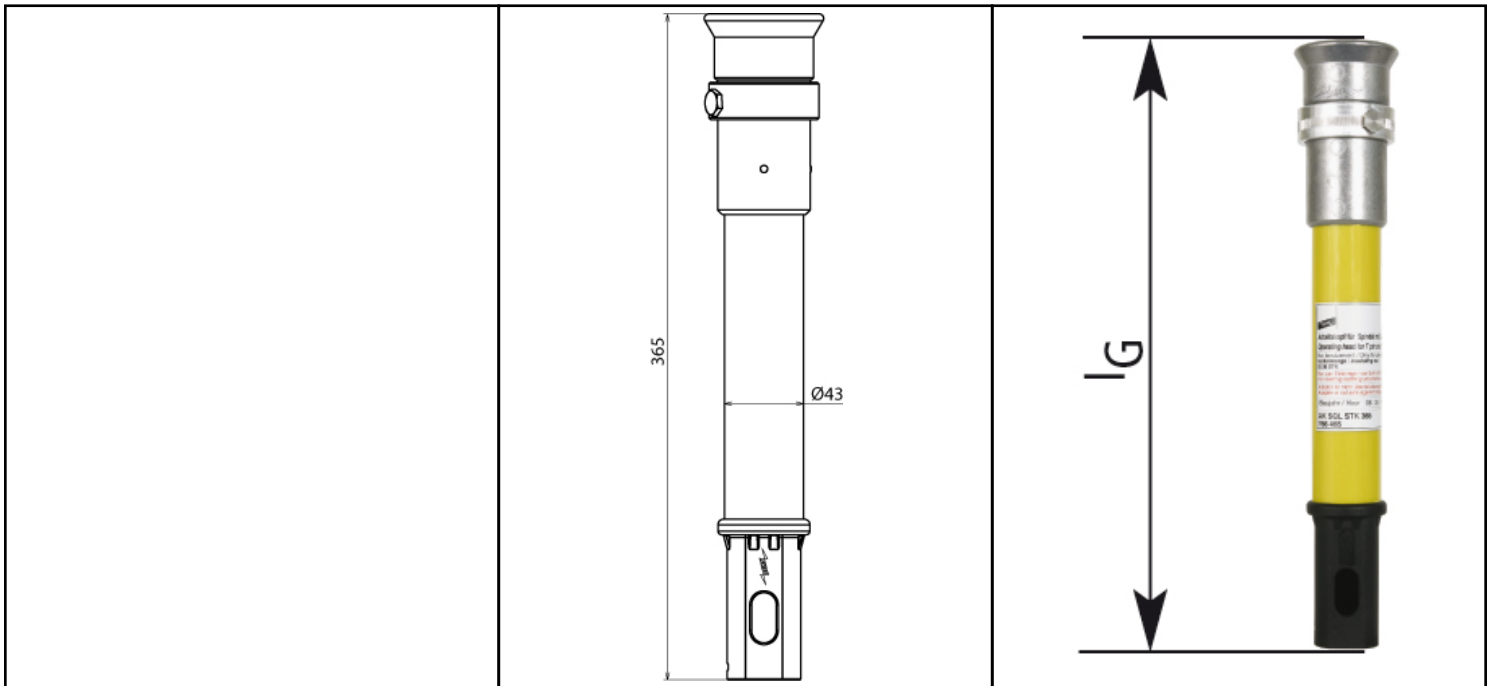


Insulating stick in accordance with DIN VDE 0681 Part 1

**Not for use in wet weather****For indoor and outdoor installations****Plug-in coupling protected against twisting and bridging****Easy transport due to self-guiding coupling****Modular system for a variety of applications****Can be used as switching stick, earthing stick or operating stick****AK SQL STK 365**

<b>Diameter</b>	43 mm
<b>Total length <math>l_G</math></b>	365 mm
<b>Position</b>	X
<b>Packaging</b>	1 pcs.
<b>Switching rod head</b>	Glass fibre reinforced polyester tube, Ø30 mm, grey, St shift pin, completely plastic coated
<b>Operating head</b>	Coupling with plastic T pin shaft, yellow; coupling with long aluminium T pin shaft
<b>Insulating tube</b>	Glass fibre reinforced polyester tube, Ø30 or Ø43 mm, grey or yellow
<b>Coupling</b>	Plastic plug-in coupling with protection against twisting, yellow or black
<b>Ordering information</b>	
<b>Type</b>	AK SQL STK 365
<b>Part No.</b>	<b>766 465</b>
<b>Packing unit</b>	1 pc

We reserve the right to modify design, technology, dimensions, weights and materials according to technical progress. Illustrations are non-binding. Pictures may differ from the modules described.