

DARC KST (781 030)

- Mounted in the NH fuse switch disconnecter to ensure mechanical connection between the short-circuiting cartridges and the disconnecting blade



Figure without obligation

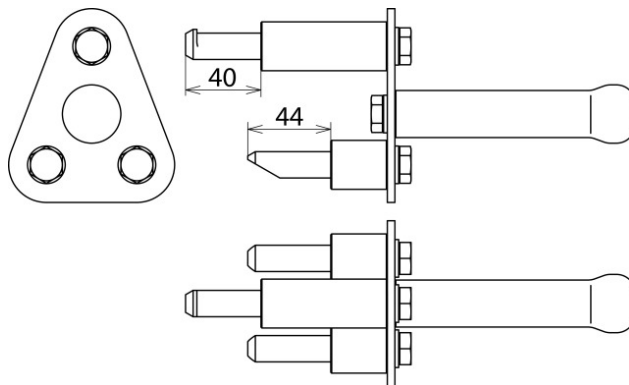


Figure without obligation

Type	DARC KST
Part No.	781 030
Tightening torque	32 Nm
Weight	1,4 kg
Customs tariff number (Comb. Nomenclature EU)	85389099
GTIN	4013364149113
PU	1 pc(s)

We reserve the right to introduce changes in performance, configuration and technology, dimensions, weights and materials in the course of technical progress. The figures are shown without obligation.

For more detailed information on the arc fault protection system DEHNarc, see installation instructions No. 1749.