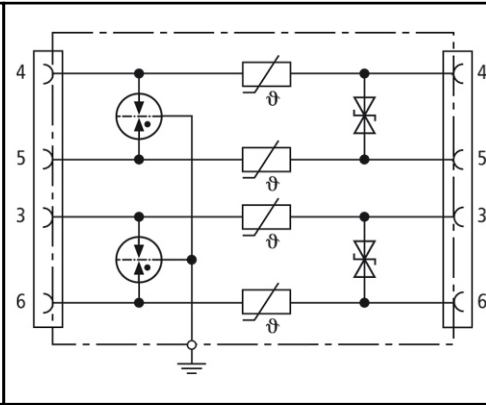


Dimension drawing NET PRO TC



PTC thermistors decouple the protection stages and thus provide additional protection against "power crossings" for terminal equipment.



Patch panel or retrofit version

Integrated protection against power crossing

For installation in conformity with the lightning protection zones concept at the boundaries from $0_b - 2$ and higher

Protection board with 8 unshielded ports for protecting telecommunications systems with analogue or system transmission technology from overvoltage and a.c. interference. To be mounted into EG NET PRO 19" as retrofit or patch panel version (LSA).

NET PRO TC 2 LSA

SPD class	TYPE 2/P2
Nominal voltage $[U_{NI}]$	130 V
Max. continuous operating d.c. voltage $[U_{cl}]$	170 V
Max. continuous operating a.c. voltage $[U_{cl}]$	120 V
Nominal current $[I_{L1}]$	150 mA
C2 Nominal discharge current (8/20 μ s) per port $[I_{n1}]$	20 kA
C2 Nominal discharge current (8/20 μ s) per line $[I_{n1}]$	5 kA
Voltage protection level line-line for I_n C2 $[U_{pl}]$	≤ 275 V
Voltage protection level line-PG for I_n C2 $[U_{pl}]$	≤ 600 V
Voltage protection level line-line at 1 kV/ μ s C3 $[U_{pl}]$	≤ 230 V
Voltage protection level line-PG at 1 kV/ μ s C3 $[U_{pl}]$	≤ 600 V
Series impedance per line	10 ohms
Cut-off frequency line-line $[f_{cl}]$	10 MHz
Capacitance line-line [C]	300 pF
Capacitance line-PG [C]	15 pF
Operating temperature range	-40°C...+80°C
Degree of protection	IP 00
For installation into	enclosure
Connection input/output	LSA / RJ45
Pinning	4/5, 3/6
Earthing via	enclosure
Dimensions W x L	135 x 107 mm
Test standards	IEC 61643-21
Approvals, Certifications	GOST

Ordering information

Type	NET PRO TC 2 LSA
Part No.	929 072
Packing unit	1 pc

We reserve the right to modify design, technology, dimensions, weights and materials according to technical progress. Illustrations are non-binding. Pictures may differ from the modules described.