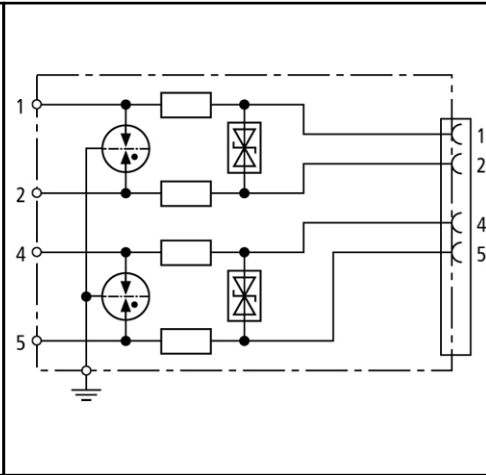
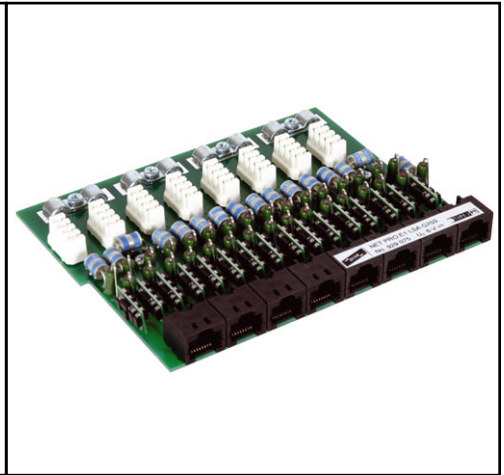


Dimension drawing NET PRO E1 LSA



Energy-coordinated two-pair protective circuit for E1 interfaces



Patch panel version

Compliance with G.703 specification

For installation in conformity with the lightning protection zones concept at the boundaries from  $0_b - 2$  and higher

Surge protection board, patch panel version, with 8 unshielded ports for E1 interfaces. To be mounted into EG NET PRO 19" and in distribution boards upstream of the telecommunications system. For 2 MBit/s transmissions according to G.703.

NET PRO E1 LSA G703

SPD class	TYPE 2 [P]
Nominal voltage [U <sub>N</sub> ]	5 V
Max. continuous operating d.c. voltage [U <sub>d</sub> ]	6 V
Max. continuous operating a.c. voltage [U <sub>d</sub> ]	4.2 V
Nominal current [I <sub>l</sub> ]	200 mA
C2 Nominal discharge current (8/20 μs) per port [I <sub>n</sub> ]	20 kA
C2 Nominal discharge current (8/20 μs) per line [I <sub>n</sub> ]	5 kA
Voltage protection level line-line for I <sub>n</sub> C2 [U <sub>p</sub> ]	≤ 40 V
Voltage protection level line-PG for I <sub>n</sub> C2 [U <sub>p</sub> ]	≤ 500 V
Voltage protection level line-line at 1 kV/μs C3 [U <sub>p</sub> ]	≤ 15 V
Voltage protection level line-PG at 1 kV/μs C3 [U <sub>p</sub> ]	≤ 450 V
Series impedance per line	1 ohm
Capacitance line-line [C]	≤ 20 pF
Capacitance line-PG [C]	≤ 25 pF
Operating temperature range	-40°C...+80°C
Degree of protection	IP 00
For installation into	enclosure
Connection input/output	LSA / RJ45 socket
Pinning	1/2, 4/5
Earthing via	enclosure
Dimensions W x L	135 x 108 mm
Test standards	IEC 61643-21
Approvals, Certifications	GOST

Ordering information

Type	NET PRO E1 LSA G703
Part No.	929 075
Packing unit	1 pc

We reserve the right to modify design, technology, dimensions, weights and materials according to technical progress. Illustrations are non-binding. Pictures may differ from the modules described.