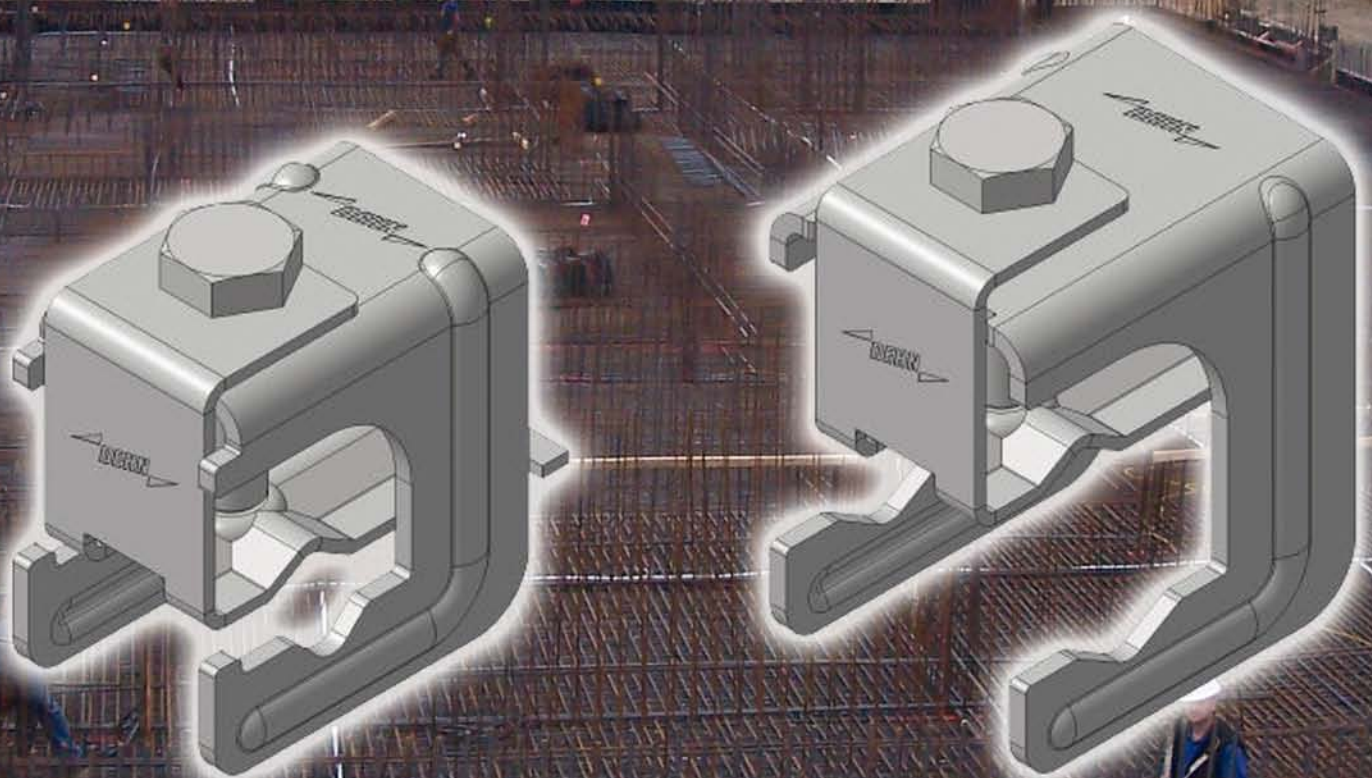




# Foundation Earth Electrode Connecting Clamps





# Connecting clamps for foundation earth electrodes and reinforcements

Connecting clamps to connect round and flat conductors within the concrete foundation to concrete steel mats or reinforcements.

**Part No.** **308 031** **308 036**

Material: bare steel



For reinforcement: Rd 6 - 20 (6.9-23mm)

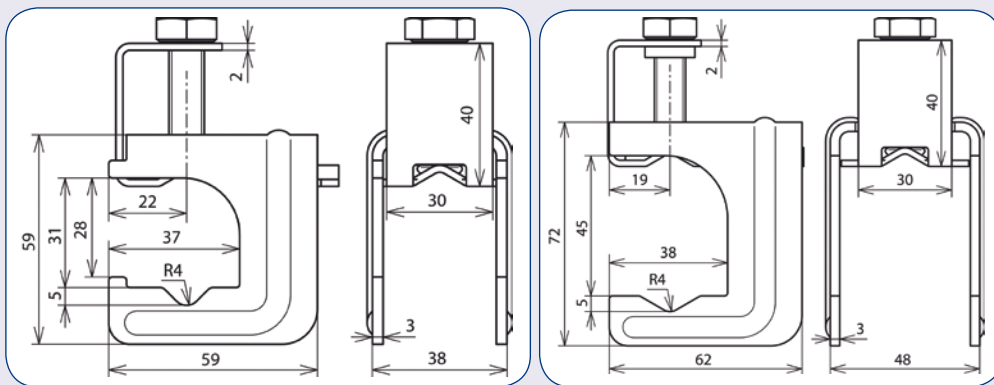
Rd 20 - 32 (23-37mm)

Part No.	50 Hz ampacity at $I_k$ (50 Hz; $t=1s$ ; $T_{max}=300^\circ C$ )	Standards	PU
308 031	8,4 kA	EN 50164-1, DIN 18014, EN 62305	25 pcs
308 036	14,0 kA	EN 50164-1, DIN 18014, EN 62305	25 pcs

### Clamping ranges [in mm]

Rd / Rd :	6-20 / 6-10	20-32 / 6-10
Rd / Fl :	6-20 / 30x3-4	20-32 / 40x4-5
Fl / Fl :	30x3-4 / 30x3-4	40x4-5 / 40x4-5

### Dimensions:



### Special features:

- Safe tilt-proof guiding of the clamping bracket
- Universal connection of round or flat conductors and reinforcements in T, cross and parallel arrangement

### Examples of use

